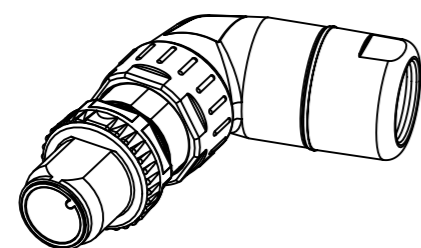
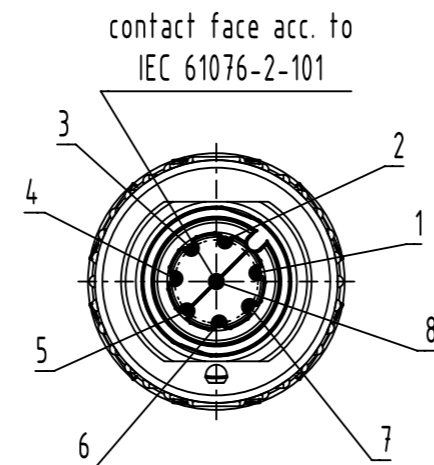


Z (2:1)



order contacts separately

wire gauge	part-no contact
AWG 26-23	21 01 100 9020

	All rights reserved Department EL PD	All Dimensions in mm Original Size DIN A3	Scale 1:1	Free size tol.	Ref.
		Created by 406403	Inspected by FARCASIU	Standardisation ROEBEN	Date 2022-11-21
HARTING D-32339 Espelkamp		Title M12-SD-CC-CRIMP-8P-ACOD-M-ANG-CF			Doc-Key / ECM-Nr. 100763543/UGD/002/F 50000226139
		Type TB	Number 21038213807		Rev. F Page 1/1